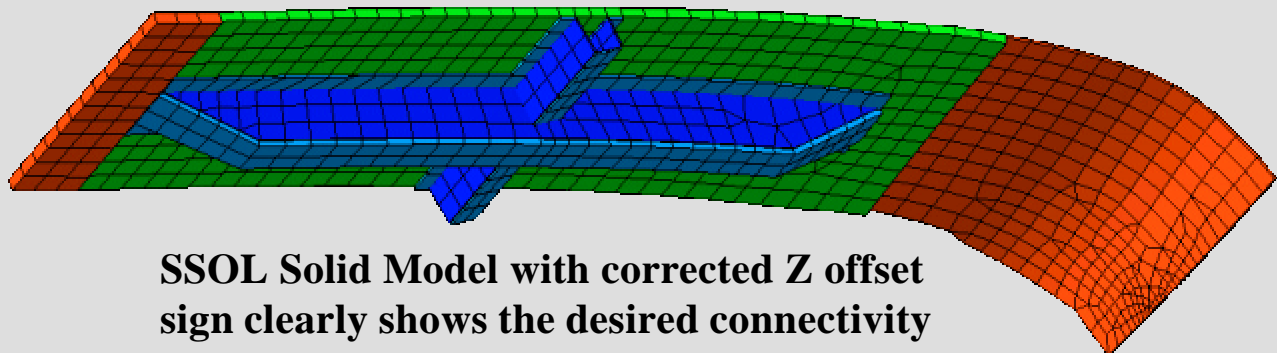
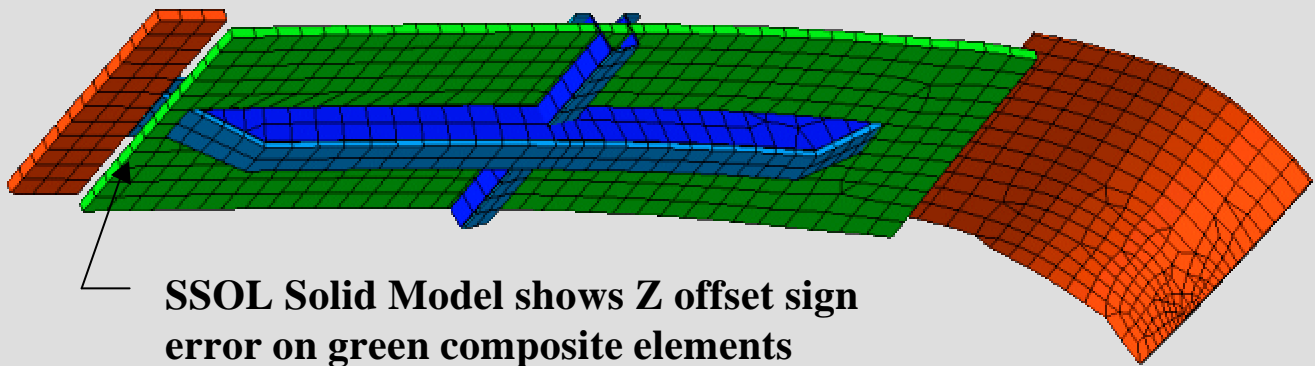
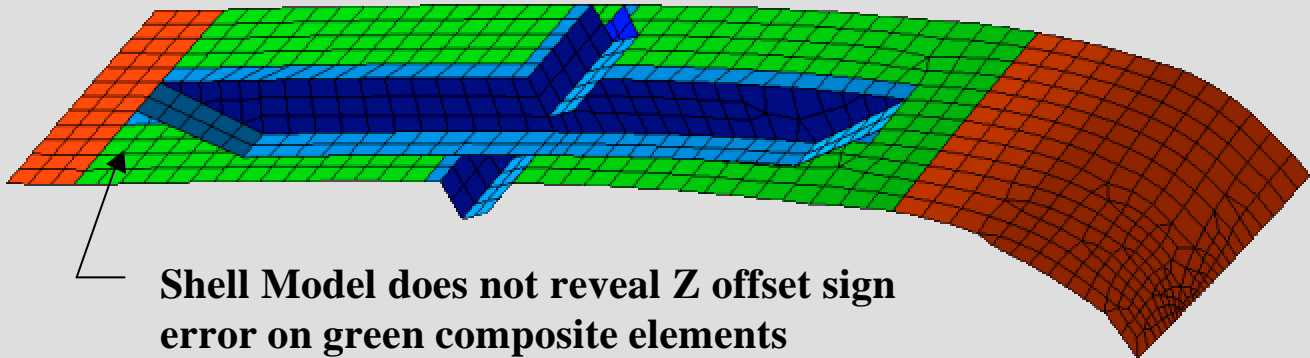


GENESIS SSOL Feature Reveals Lay-up Geometry Errors

The SSOL case control command automatically converts shell elements to solids that reveal thickness and geometry



Visualize Composite Element Lay-up and Z Offset Geometry with SSOL